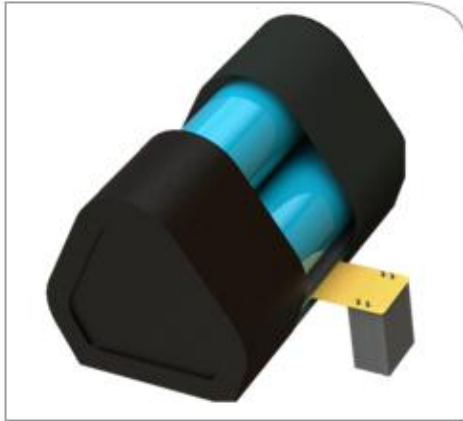


# URB003S: X5 SuperLite Hold-Up Battery

## Technical Datasheet



The URB003S is Ultralife's 20.4Wh optional Hold-Up Battery (HUB) for the X5-SuperLite (P/N: UCA-X5-3USBC) battery cradle.

The HUB provides 100W for up to 5 minutes of device operation whilst URB-X5 batteries are swapped.

The use of highly reliable Lithium-ion technology ensures the X5-SuperLite remains operational whenever URB-X5 hot-swap batteries need to be replaced.

Technical Specifications																									
Part No.	URB003S																								
Voltage Range	9.0 – 11.4V																								
Average Voltage	10.2V																								
Nominal Capacity	2.0Ah																								
Max. Continuous Discharge	10A																								
Energy	20.4Wh																								
Energy Density	102Wh/kg																								
Weight	200g																								
Cycle Life	>500 cycles																								
Memory	No Memory Effect																								
Operating Temperature	-10°C to +65°C discharging 0°C to +50°C charging																								
Storage Temperature	-20°C to +65°C																								
Internal Resistance	≤100mΩ																								
Self-Discharge @ +23°C	<5% per month																								
Exterior/Housing	Black Formex and Shrink																								
Terminals/Connector	Samtec Connector: UMPT-02-12.5																								
Dimensions	68mm (length) x 41mm (width) x 41mm (height)																								
Protection	<table border="0"> <tr> <td>Over Charge</td> <td>3.80 ± 0.025V (per cell)</td> </tr> <tr> <td>Over Discharge:</td> <td>2.50 ± 0.05V (per cell)</td> </tr> <tr> <td>Over Current</td> <td>12.5-25A &gt;0.7-1.4s</td> </tr> <tr> <td>Overtemperature</td> <td></td> </tr> <tr> <td>    Discharge</td> <td>65°C, (55°C recovery)</td> </tr> <tr> <td>    Charge</td> <td>50°C, (40°C)</td> </tr> <tr> <td>Undertemperature</td> <td></td> </tr> <tr> <td>    Discharge</td> <td>-10°C, (0°C)</td> </tr> <tr> <td>    Charge</td> <td>0°C, (10°C)</td> </tr> <tr> <td>Short Circuit</td> <td>Yes, auto recovery</td> </tr> <tr> <td>Hardware Fuse</td> <td>Yes, 60A</td> </tr> <tr> <td>Cell Balancing</td> <td>Yes</td> </tr> </table>	Over Charge	3.80 ± 0.025V (per cell)	Over Discharge:	2.50 ± 0.05V (per cell)	Over Current	12.5-25A >0.7-1.4s	Overtemperature		Discharge	65°C, (55°C recovery)	Charge	50°C, (40°C)	Undertemperature		Discharge	-10°C, (0°C)	Charge	0°C, (10°C)	Short Circuit	Yes, auto recovery	Hardware Fuse	Yes, 60A	Cell Balancing	Yes
Over Charge	3.80 ± 0.025V (per cell)																								
Over Discharge:	2.50 ± 0.05V (per cell)																								
Over Current	12.5-25A >0.7-1.4s																								
Overtemperature																									
Discharge	65°C, (55°C recovery)																								
Charge	50°C, (40°C)																								
Undertemperature																									
Discharge	-10°C, (0°C)																								
Charge	0°C, (10°C)																								
Short Circuit	Yes, auto recovery																								
Hardware Fuse	Yes, 60A																								
Cell Balancing	Yes																								
Charging	Charging voltage: 11.4V – 15.0V Max. 150mA @ 15.0V <sup>1</sup> Estimated charge time from empty: 21 hours																								
Certifications	IEC 62133-2 (pending)																								
Transportation	UN 3480 Dangerous Goods Class 9, Total Energy <100Wh If packed in or with equipment (UN 3481) contact Ultralife for guidance. UN Testing Summary - TBD																								

### Notes

1. The URB003S internally conditions the charge power from a higher voltage charge source and limits charge current to safe thermal values.

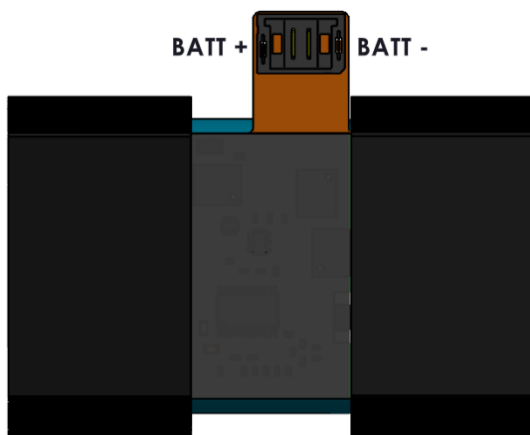
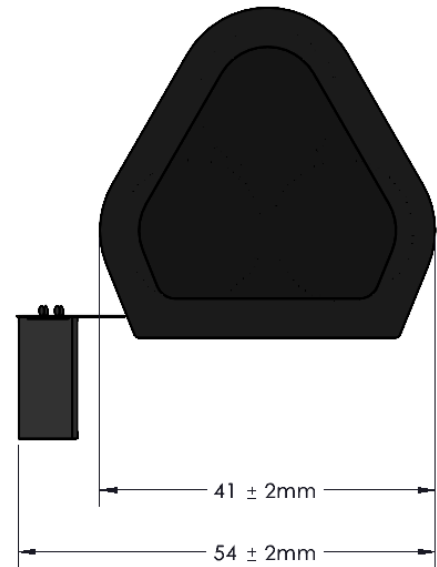
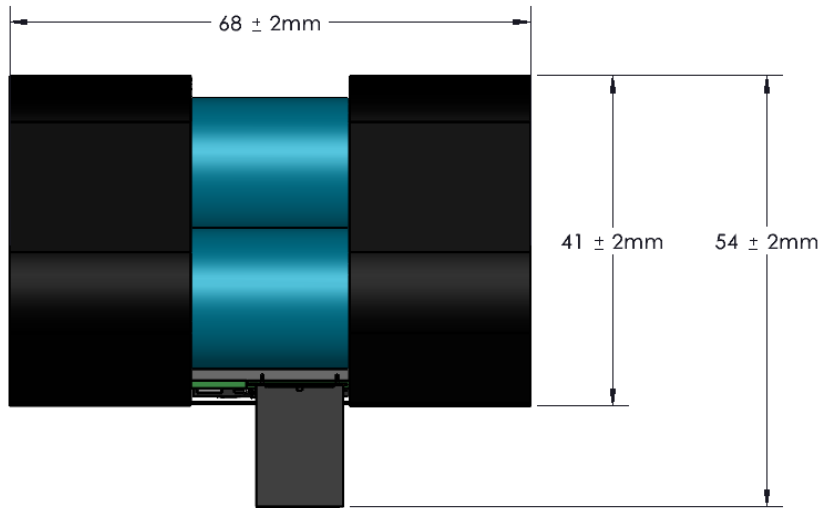
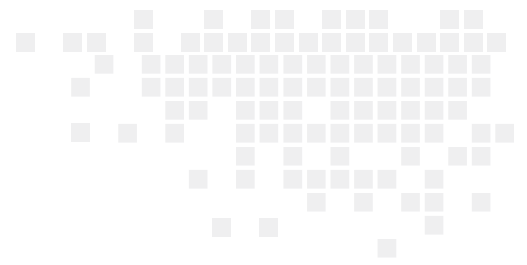
URB003S

Newark, New York | +1 315-332-7100 | Fax: +1 315-331-7800

©2025 Ultralife Corporation • www.ultralifecorp.com • All information is subject to change without notice.

The information contained herein is for reference only and does not constitute a warranty of performance. • 10 DEC 2025 SDOC-148 REV B

# Dimensions



URB003S

Newark, New York | +1 315-332-7100 | Fax: +1 315-331-7800

©2025 Ultralife Corporation • www.ultralifecorp.com • All information is subject to change without notice.

The information contained herein is for reference only and does not constitute a warranty of performance. • 10 DEC 2025 SDOC-148 REV B



## Product Usage

The URB003S HUB is a Lithium-ion battery that behaves as a backup power source for the X5-SuperLite (P/N: UCA-X5-3USBC).

Nominally, the URB-X5 battery provides all power to the USB-C loads. In the event that the URB-X5 battery cannot supply power (e.g. the URB-X5 battery is out of capacity, is removed for hot-swap, or has an internal fault), the URB003S immediately supplies power to the DC bus to prevent disruption to any USB-C loads.

When not in use, the URB003S automatically charges directly from the URB-X5 battery or a USB-C supply/charger connected to the X5-SuperLite. Once fully charged, the URB003S will sit idle awaiting operation.

The URB003S internally conditions the proper charging levels for the internal cells. An un-regulated voltage supply between 11.4V – 15.0V can be used to charge the battery; the URB003S will limit the charge current to safe thermal values. Charge times will vary depending on the voltage level; typical charge times are around 21 hours for a completely depleted battery.

## Product Installation

Reference the X5-SuperLite (UCA-X5-3USBC) Technical Datasheet for proper installation of the URB003S.

## Product Maintenance and Service

Ensure that the URB003S is not physically damaged and is free of debris prior to use. If it is damaged, do not attempt to use.

The URB003S should be stored per the listed temperature requirements. Storing at cooler temperatures (0°C (32°F) - 25°C (77°F)) will prolong the life of the cells. Storing at warmer temperatures (>25°C) will result in a shorter module lifetime.

A URB003S in storage should be monitored and recharged to ~60% capacity (11.0V OCV) when the capacity falls to below ~15% capacity (10.2V OCV).

URB003S connectors should be kept clear of moisture and excessive dust. If exposed to dirt or dust, the connectors should be cleaned with compressed air.

The URB003S product is not user serviceable. Any service, repair, or replacement should be performed only by the manufacturer.

## Product Cleaning

The URB003S product can be spot cleaned with the following, as needed, over the life of the product:

- Cloth moistened with 70% isopropyl alcohol (IPA) solution

Ensure that the cloth does not overly saturate the circuit board when cleaning. Do not clean any portions of exposed metal or circuit board. Ensure product is dry from cleaning before use.

## Product Support Contact

If you have any questions regarding the URB003S product, call +1 281-240-4000 and ask for URB003S support.

## Return / Disposal

The URB003S and its lithium-ion cells are hazardous materials and should be disposed or recycled per applicable, local regulations.

To arrange a return of material, contact the supplier to make arrangements or contact the customer service line at +1 281-240-4000 Ext 201. A Return Material Authorization (RMA) is required for all products.



## Safety Notices / Symbols

- This product is intended for use only with the Ultralife X5-SuperLite battery cradle and URB-X5 battery. This product has not been tested, and should not be used, with other batteries without direction from Ultralife.
- Do not short circuit, force discharge, force overcharge, disassemble, reverse polarity, crush, or penetrate.
- Battery may leak or explode if heated above rated temperature.
- This product should not be disassembled for any reason.
- This product is not intended to be used by children. Children shall not play with the product. Cleaning and user maintenance shall not be done by children.
- This product is not to be used by persons with reduced physical, sensory or mental capabilities, or lack of experience and knowledge, unless they have been given supervision or instruction.



**Universal waste; do not dispose with general waste**



**Recycle per local Li-ion regulations**

**Warning: fire, explosion, leak and severe burn hazard. Do not short circuit, overcharge, disassemble, reverse polarity, crush, or penetrate. Do not dispose in fire or expose to heat above rated temperature.**

**Avertissement : risque d'incendie, d'explosion, de fuite et de brûlures graves. Ne pas court-circuiter, surcharger, démonter, inverser la polarité, écraser ni percer. Ne pas jeter au feu ni exposer à une chaleur supérieure à la température nominalef**